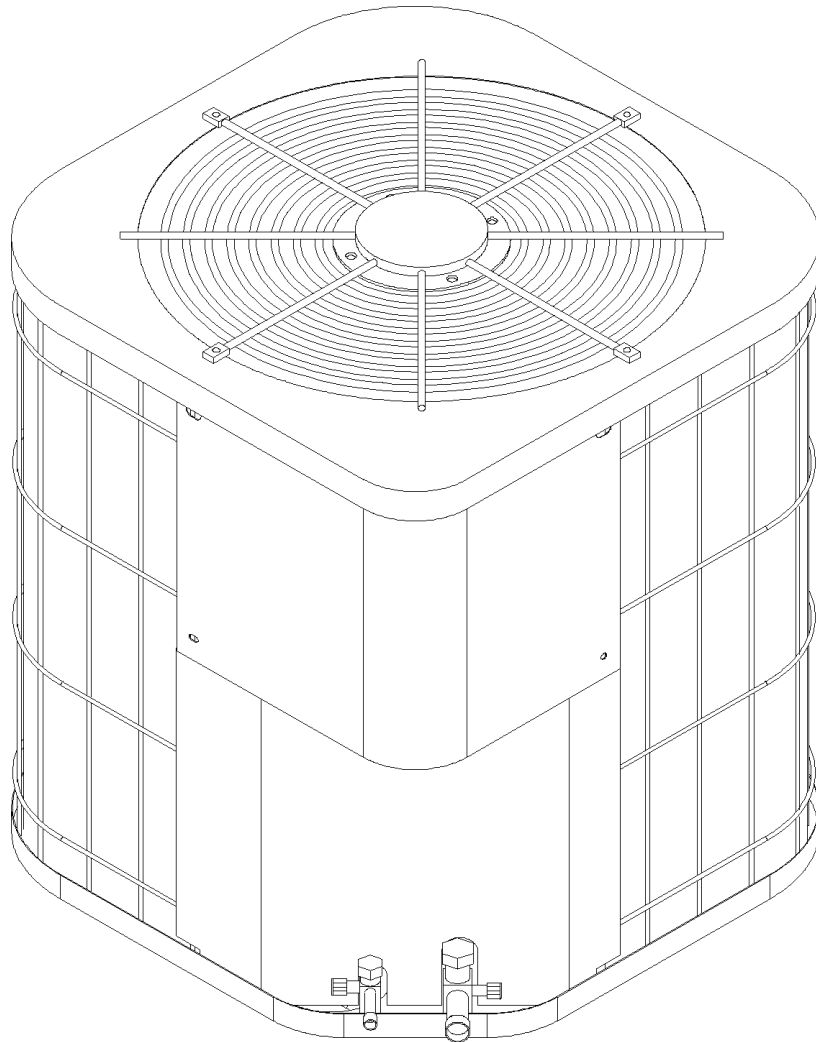


## CKQ SERIES Condensing Units

CKQ24-1  
CKQ30-1  
CKQ30-1A  
CKQ36-1  
CKQ36-1A



This manual is to be used by qualified technicians only.

© 1999-2008 Goodman Manufacturing Company, L.P. ♦ 5151 San Felipe, Suite 500 ♦ Houston, TX 77056



# Important Information

---

## Index

Functional Parts List .....	3
Illustration and Parts .....	4 - 5

*Views shown are for parts illustrations only, not servicing procedures.*

### Text Codes:

AR - As Required

NA - Not Available

NS - Not Shown

00000000 - See Note

QTY - Quantity Example (QTY 3) (If Quantity not shown, Quantity = 1)

M - Model Example (M1) (If M Code not shown, then part is used on all Models)

### Expanded Model Nomenclature:

Example M1 - Model#1 M2 - Model#2 M3 - Model#3
---

Goodman Manufacturing Company, L.P. is not responsible for personal injury or property damage resulting from improper service. Review all service information before beginning repairs.

Warranty service must be performed by an authorized technician, using authorized factory parts. If service is required after the warranty expires, Goodman Manufacturing Company, L.P. also recommends contacting an authorized technician and using authorized factory parts.

Goodman Manufacturing Company, L.P. reserves the right to discontinue, or change at any time, specifications or designs without notice or without incurring obligations.

For assistance within the U.S.A. contact:  
Consumer Affairs Department  
Goodman Manufacturing Company, L.P.  
7401 Security Way  
Houston, Texas 77040  
877-254-4729-Telephone  
713-863-2382-Facsimile

For assistance outside the U.S.A. contact:  
International Division  
Goodman Manufacturing Company, L.P.  
7401 Security Way  
Houston, Texas 77040  
713-861-2500-Telephone  
713-863-2382-Facsimile

# Functional Parts

## Part

## No: Description:

---

CAP050250370RSS	CAPACITOR 5/25/370V (M1)
CAP050350370RSS	CAPACITOR 5/35/370V (M2, M3, M4, M5)
CR18K6PFV960	COMPRESSOR #H26B18QCBCA (706311-1501-00) (M1)
B9266833AS	COMPRESSOR #H27B24QCBCA (707094-1501-00) (M3)
CR30K6PFV960	COMPRESSOR H27B28QCBCA (707110-1501-00) (M4, M5)
CR22K6PFV960	COMPRESSOR H29B22UABCA (729011-1501-00) (M2)
0131M00007PS	COND MOTOR 1/4 HP, 1 SP, 8 PL (M4, M5)
0131M00009PS	COND MOTOR 1/6 HP, 1 SP, 8 PL (M1, M2, M3)
CONT2P030024VS	CONTACTOR 30 AMP, 2P, 24V
B1141670	START ASSIST 305C20A CERA-MITE

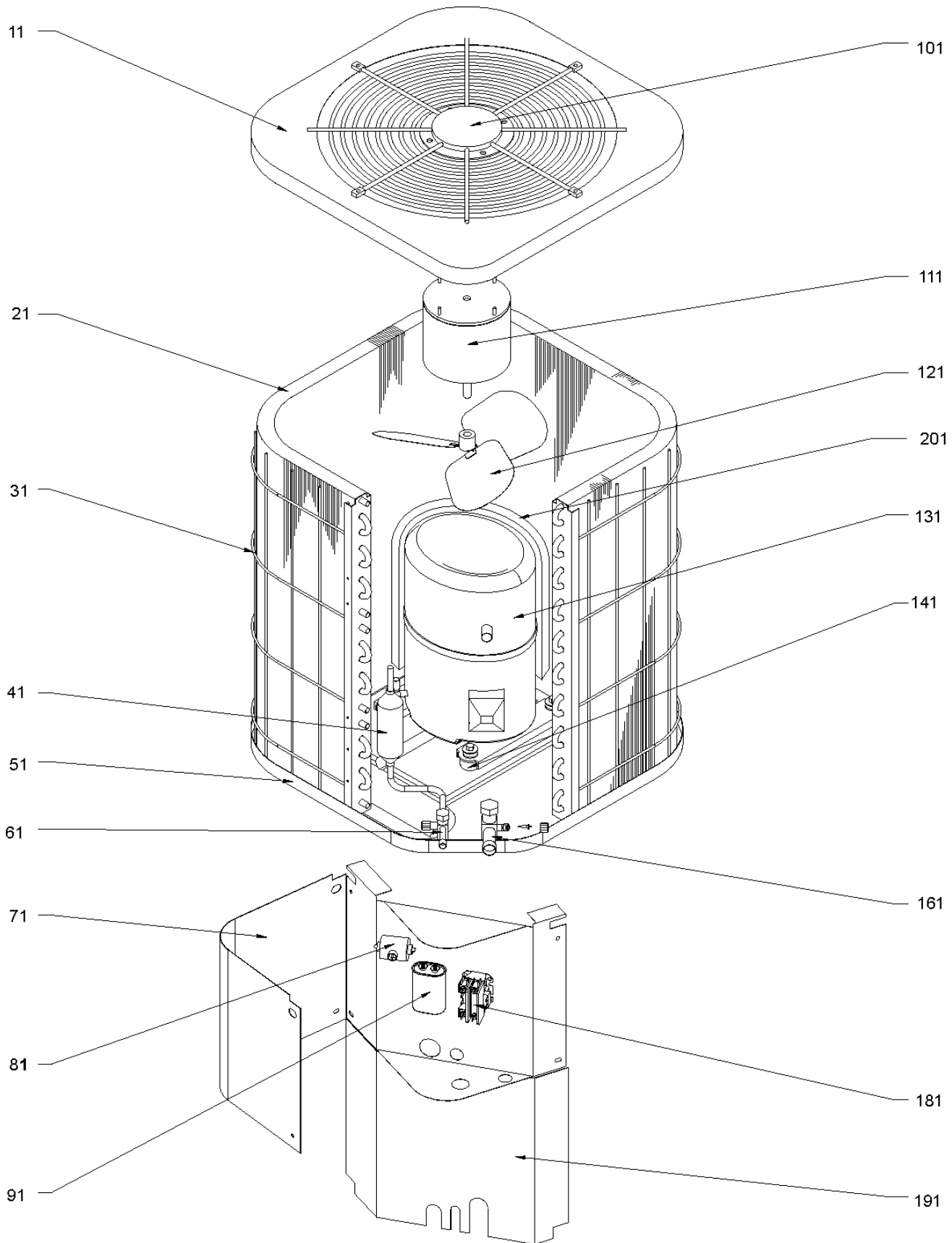
## SPECIAL PARTS

IO-101J	INSTALLATION INSTRUCTIONS
RP-190	REPAIR PARTS MANUAL

## Expanded Model Nomenclature

M1 - CKQ24-1
M2 - CKQ30-1
M3 - CKQ30-1A
M4 - CKQ36-1
M5 - CKQ36-1A

# Replacement Parts List



# Replacement Parts List

Ref. Part No:	No:	Description:	Ref. Part No:	No:	Description:
<i>Image 1:</i>			Expanded Model Nomenclature		
11	1779412P	TOP PANEL	M1	-	CKQ24-1
21	1264926	TUBING ASSY, COND COIL (M1, M3)	M2	-	CKQ30-1
21	1264927	TUBING ASSY, COND COIL (M5)	M3	-	CKQ30-1A
21	1264928	TUBING ASSY, COND COIL (M2, M4)	M4	-	CKQ36-1
31	B1259630	INLET GRILLE 30" (M1, M3)	M5	-	CKQ36-1A
31	B1259637	INLET GRILLE 37.5" (M5)			
31	B1259640	INLET GRILLE 40" (M2, M4)			
41	B1219212	SINGLE-FLOW FILTER DRIER, STEEL			
51	1787210P	FORMED BOTTOM PAN			
61	20163801S	3/8" SERVICE VALVE (M2, M4)			
61	B12825171	3/8" SERVICE VALVE (M1, M3, M5)			
71	1787624P	CONTROL BOX COVER			
81	B1141670	START ASSIST 305C20A CERA-MITE			
91	CAP050250370RSS	CAPACITOR 5/25/370V (M1)			
91	CAP050350370RSS	CAPACITOR 5/35/370V (M2, M3, M4, M5)			
101	B1376916	FAN GRILLE GUARD, 22"			
111	0131M00007PS	COND MOTOR 1/4 HP, 1 SP, 8 PL (M4, M5)			
111	0131M00009PS	COND MOTOR 1/6 HP, 1 SP, 8 PL (M1, M2, M3)			
121	B1086750S	FAN BLADE 22", 3 BLADE, 24°			
131	CR18K6PFV960	COMPRESSOR #H26B18QCBCA (706311-1501-00) (M1)			
131	B9266833AS	COMPRESSOR #H27B24QCBCA (707094-1501-00) (M3)			
131	CR30K6PFV960	COMPRESSOR H27B28QCBCA (707110-1501-00) (M4, M5)			
131	CR22K6PFV960	COMPRESSOR H29B22UABCA (729011-1501-00) (M2)			
141	B1339530	COMPRESSOR GROMMET (M1, M2, M3)			
141	B1339533	COMPRESSOR GROMMET (M4, M5)			
161	B1282566	3/4" SERVICE VALVE (M1, M2, M3)			
161	B12825167	7/8" SERVICE VALVE (M4, M5)			
181	CONT2P030024VS	CONTACTOR 30 AMP, 2P, 24V			
191	1787709P	ACCESS PANEL 30" (M1, M3)			
191	1787717P	ACCESS PANEL 37.5" (M5)			
191	1787718P	ACCESS PANEL 40" (M2, M4)			
201	B1488800	COMPRESSOR SOUND BLANKET (M4, M5)			
NS	B1783803	ACORN NUT 5/16 HEX YELLOW ZINC (QTY 4)			
NS	1284835	CAPACITOR STRAP			
NS	B1789859	FLOW CHECK PISTON KIT (M1)			
NS	B1789865	FLOW CHECK PISTON KIT (M2)			
NS	B1789868	FLOW CHECK PISTON KIT (M3)			
NS	B1789874	FLOW CHECK PISTON KIT (M4, M5)			
NS	B2118400	FLOWRATOR (M2, M4)			
NS	M0221641	TF SHOULDER SCREW (QTY 4)			